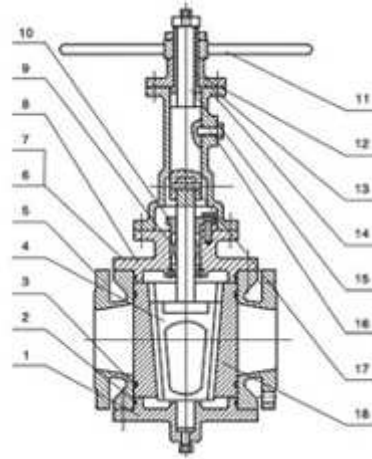




ORBIT PLUG VALVE



Features:

ORBIT PLUG VALVE

Main structural features

Bolt bonnet OS & Y lifting-round plug.

Its sealing is realized by the sealing rings around the valve disc. It has unique protection of swallow tailed sink and fixed sealing rings. Double direction.

Principle of opening and closing of the valve

When the valve is fully opened, the channel of plug is in alignment with the channel of valve body, which can ensure ideal and lowest decrease on pressure. When the hand wheel is turned, the plug will rotate toward the closing direction, and make the same time draft the rotation of valve seat and close the valve. When the hand wheel is turned inversely, first of all the plug will move upward, and the valve disc and valve seat will be separated; if the hand wheel is turned further on, till the valve disc is turned by 90 degree driven by the plug, and finally the channel of plug will be in alignment with the channel of valve body, so that the valve is be fully opened.

Standards compliance

Design and Manufacture: API 599, API 6D



Face to face(end to end): ANSI B 16.10

Flanged connection: ANSI B 16.5

Butt welded end: ANSI B16.25

Test and inspection: API 598,API 6D

Main parts materials

NO.	Part name	Material				
		A216 WCB	A351 CF8	A351 CF8M	A351 CF3	A351 CF3M
1~14	Botten/yoke	A216 WCB	A351 CF8	A351 CF8M	A351 CF3	A351 CF3M
2	"O" ring	NBR/FEP/SBR/PTFE				
3	Sealing ring	NBR/FEP/SBR/PTFE				
4	Plug	A182 F6a	A351 CF8	A351 CF8M	A351 CF3	A351 CF3M
5~8	Body cover	A216 WCB	A351 CF8	A351 CF8M	A351 CF3	A351 CF3M
6~7	Bolt/nut	B7/2H	B8/8	B8M/8M	B8M/8M	B8M/8M
9	Packing	Flexible graphite+stainless steel/PTFE				
10	Gland	A216 WCB	A351 CF8	A351 CF8	A351 CF3	A351 CF3M
11	Hand wheel	ASTM A536 Gr.60-40-18 A216 WCB				
12	Yoke nut	Cu-Allog/A439-D2				
13	Yoke nut bushing	A216 WCB	A351 CF8			
17	Pin	A182 F6a	A182 F321	A182 F321	A182 F316	A182 F316L
15~18	Stem/Disc	A182 F6a	A182 F304	A182 F316	A182 F304L	A182 F316L
16	Guiding stud	A182 F6a	A182 F304	A182 F316	A182 F304L	A182 F316L

ORBIT PLUG VALVE

Dimensions																
Class 150Lb																
Size	inch	1/2	3/4	1	1-1/4	1-1/2	2	2-1/2	3	4	5	6	8	10	12	14
L-RF	mm	108	117	127	140	165	178	190	203	229	254	267	292	330	356	381
H	mm	230	260	300	340	380	435	460	490	525	570	625	700	780	870	980



W	mm	120	140	140	180	200	220	260	280	300	340	400	450	450	500	500
Weight	Kg	10	12	18	25	29	34	39	50	65	95	135	210	275	350	605

Dimensions																
Class 300Lb																
Size	inch	1/2	3/4	1	1-1/4	1-1/2	2	2-1/2	3	4	5	6	8	10	12	14
L-RF,BW	mm	140	152	165	178	190	216	241	283	305	381	403	419	457	502	762
H	mm	230	260	300	340	380	435	460	490	525	570	625	700	780	870	980
W	mm	120	140	140	180	200	220	260	280	300	340	400	450	450	500	500
Weight	Kg	11	13	20	27	31	37	44	60	82	115	165	225	305	405	650

Dimensions																
Class 600Lb																
Size	inch	1/2	3/4	1	1-1/4	1-1/2	2	2-1/2	3	4	5	6	8	10	12	14
L-RF,BW	mm	165	190	216	229	241	292	330	356	432	508	559	660	787	838	889
H	mm	230	260	300	340	380	435	460	490	525	570	625	700	780	870	980
W	mm	120	140	140	180	200	220	260	280	300	340	400	450	450	500	500
Weight	Kg	13	15	22	29	34	41	54	68	99	128	191	258	430	650	870

Dimensions																
Class 900Lb																
Size	inch	1/2	3/4	1	1-1/4	1-1/2	2	2-1/2	3	4	5	6	8	10	12	14
L-RF,BW	mm	229	229	254	279	305	368	419	381	457	559	610	737	838	965	1029
H	mm	230	260	300	340	380	435	460	490	525	570	625	700	780	870	980
W	mm	120	140	140	180	200	220	260	280	300	340	400	450	450	500	500
Weight	Kg	15	19	24	32	38	47	62	75	115	147	220	379	490	720	1020